

MAST SPECIFICATIONS and RATED CAPACITIES

B15T-7 Plus

Mast type	Maximum fork height	Fully lowered height	Fully extended height		Free lift		Rated load capacities					
			with load backrest	without load backrest	with load backrest	without load backrest	Single solid tire			Single cushion tire		
							Tilt angle		Load cap.	Tilt angle		Load cap.
							FWD	BWD	LC 500 mm	FWD	BWD	LC 500 mm
mm	mm	mm	mm	mm	mm	deg	deg	kg	deg	deg	kg	
STD	3,000	2,000	4,045	3,600	130	130	5	7	1,500	5	7	1,500
	3,300	2,150	4,345	3,900	130	130	5	7	1,500	5	7	1,500
	3,500	2,250	4,545	4,100	130	130	5	7	1,500	5	7	1,500
	3,700	2,350	4,745	4,300	130	130	5	7	1,500	5	7	1,500
	4,000	2,550	5,045	4,600	130	130	5	7	1,500	5	7	1,500
4,500	2,800	5,545	5,100	130	130	5	7	1,425	5	7	1,450	
FF	2,700	1,850	3,745	3,325	845	1,265	5	5	1,500	5	5	1,500
	3,000	2,000	4,045	3,625	995	1,415	5	5	1,500	5	5	1,500
	3,300	2,150	4,345	3,925	1,145	1,565	5	5	1,500	5	5	1,500
FFT	4,000	1,880	5,050	4,630	875	1,295	5	5	1,450	5	5	1,475
	4,500	2,045	5,545	5,125	1,040	1,460	5	5	1,400	5	5	1,425
	4,750	2,130	5,795	5,375	1,125	1,545	5	5	1,350	5	5	1,375
	5,000	2,245	6,045	5,625	1,240	1,660	5	5	1,300	5	5	1,350
	5,500	2,480	6,550	6,130	1,475	1,895	5	5	975	5	5	1,275
	6,000	2,645	7,045	6,625	1,640	2,060	5	5	650	5	5	1,225

B18T-7 Plus

Mast type	Maximum fork height	Fully lowered height	Fully extended height		Free lift		Rated load capacities					
			with load backrest	without load backrest	with load backrest	without load backrest	Single solid tire			Single cushion tire		
							Tilt angle		Load cap.	Tilt angle		Load cap.
							FWD	BWD	LC 500 mm	FWD	BWD	LC 500 mm
mm	mm	mm	mm	mm	mm	deg	deg	kg	deg	deg	kg	
STD	3,000	2,000	4,045	3,600	130	130	5	7	1,750	5	7	1,750
	3,300	2,150	4,345	3,900	130	130	5	7	1,750	5	7	1,750
	3,500	2,250	4,545	4,100	130	130	5	7	1,750	5	7	1,750
	3,700	2,350	4,745	4,300	130	130	5	7	1,750	5	7	1,750
	4,000	2,550	5,045	4,600	130	130	5	7	1,750	5	7	1,750
4,500	2,800	5,545	5,100	130	130	5	7	1,650	5	7	1,650	
FF	2,700	1,850	3,745	3,325	845	1,265	5	5	1,750	5	5	1,750
	3,000	2,000	4,045	3,625	995	1,415	5	5	1,750	5	5	1,750
	3,300	2,150	4,345	3,925	1,145	1,565	5	5	1,750	5	5	1,750
FFT	4,000	1,880	5,050	4,630	875	1,295	5	5	1,675	5	5	1,700
	4,500	2,045	5,545	5,125	1,040	1,460	5	5	1,600	5	5	1,650
	4,750	2,130	5,795	5,375	1,125	1,545	5	5	1,525	5	5	1,625
	5,000	2,245	6,045	5,625	1,240	1,660	5	5	1,400	5	5	1,575
	5,500	2,480	6,550	6,130	1,475	1,895	5	5	1,025	5	5	1,500
	6,000	2,645	7,045	6,625	1,640	2,060	5	5	700	5	5	1,400

B20T-7 Plus

Mast type	Maximum fork height	Fully lowered height	Fully extended height		Free lift		Rated load capacities					
			with load backrest	without load backrest	with load backrest	without load backrest	Single solid tire			Single cushion tire		
							Tilt angle		Load cap.	Tilt angle		Load cap.
							FWD	BWD	LC 500 mm	FWD	BWD	LC 500 mm
mm	mm	mm	mm	mm	mm	deg	deg	kg	deg	deg	kg	
STD	3,000	2,000	4,050	3,605	135	135	5	7	2,000	5	7	2,000
	3,300	2,150	4,350	3,905	135	135	5	7	2,000	5	7	2,000
	3,500	2,250	4,550	4,105	135	135	5	7	2,000	5	7	2,000
	3,700	2,350	4,750	4,305	135	135	5	7	2,000	5	7	2,000
	4,000	2,550	5,050	4,605	135	135	5	7	2,000	5	7	2,000
4,500	2,800	5,550	5,105	135	135	5	7	1,950	5	7	2,000	
FF	2,700	1,850	3,750	3,330	845	1,265	5	5	2,000	5	5	2,000
	3,000	2,000	4,050	3,630	995	1,415	5	5	2,000	5	5	2,000
	3,300	2,150	4,350	3,930	1,145	1,565	5	5	2,000	5	5	2,000
FFT	4,000	1,880	5,055	4,635	875	1,295	5	5	1,900	5	5	2,000
	4,500	2,045	5,550	5,130	1,040	1,460	5	5	1,900	5	5	1,975
	4,750	2,130	5,800	5,380	1,125	1,545	5	5	1,825	5	5	1,925
	5,000	2,245	6,050	5,630	1,240	1,660	5	5	1,800	5	5	1,900
	5,500	2,480	6,555	6,135	1,475	1,895	5	5	1,700	5	5	1,800
	6,000	2,645	7,050	6,630	1,640	2,060	5	5	1,575	5	5	1,500

Note: These load capacities are based on the standard chassis without side shifter.

Specification values quoted in this catalog have been rounded. Products and specifications are subject to improvement and change without notice. Performance may vary due to operating conditions.

The performance shown represents nominal values obtained under typical operating conditions.

B16X-7 Plus

Mast type	Maximum fork height	Fully lowered height	Fully extended height		Free lift		Rated load capacities					
			with load backrest	without load backrest	with load backrest	without load backrest	Single solid tire			Pneumatic tire		
							Tilt angle		Load cap.	Tilt angle		Load cap.
							FWD	BWD	LC 500 mm	FWD	BWD	LC 500 mm
mm	mm	mm	mm	mm	mm	deg	deg	kg	deg	deg	kg	
STD	3,000	2,000	4,045	3,600	130	130	5	7	1,600	5	7	1,500
	3,300	2,150	4,345	3,900	130	130	5	7	1,600	5	7	1,500
	3,500	2,250	4,545	4,100	130	130	5	7	1,600	5	7	1,500
	3,700	2,350	4,745	4,300	130	130	5	7	1,600	5	7	1,500
	4,000	2,550	5,045	4,600	130	130	5	7	1,600	5	7	1,500
4,500	2,800	5,545	5,100	130	130	5	7	1,600	5	7	1,450	
FF	2,700	1,850	3,745	3,325	845	1,265	5	5	1,600	5	5	1,500
	3,000	2,000	4,045	3,625	995	1,415	5	5	1,600	5	5	1,500
	3,300	2,150	4,345	3,925	1,145	1,565	5	5	1,600	5	5	1,500
FFT	4,000	1,880	5,050	4,630	875	1,295	5	5	1,600	5	5	1,475
	4,500	2,045	5,545	5,125	1,040	1,460	5	5	1,550	5	5	1,425
	4,750	2,130	5,795	5,375	1,125	1,545	5	5	1,500	5	5	1,375
	5,000	2,245	6,045	5,625	1,240	1,660	5	5	1,450	5	5	1,350
	5,500	2,480	6,550	6,130	1,475	1,895	5	5	1,350	5	5	1,275
	6,000	2,645	7,045	6,625	1,640	2,060	5	5	1,250	5	5	1,225

B18X-7 Plus

Mast type	Maximum fork height	Fully lowered height	Fully extended height		Free lift		Rated load capacities					
			with load backrest	without load backrest	with load backrest	without load backrest	Single solid tire			Pneumatic tire		
							Tilt angle		Load cap.	Tilt angle		Load cap.
							FWD	BWD	LC 500 mm	FWD	BWD	LC 500 mm
mm	mm	mm	mm	mm	mm	deg	deg	kg	deg	deg	kg	
STD	3,000	2,000	4,045	3,600	130	130	5	7	1,800	5	7	1,750
	3,300	2,150	4,345	3,900	130	130	5	7	1,800	5	7	1,750
	3,500	2,250	4,545	4,100	130	130	5	7	1,800	5	7	1,750
	3,700	2,350	4,745	4,300	130	130	5	7	1,800	5	7	1,750
	4,000	2,550	5,045	4,600	130	130	5	7	1,800	5	7	1,750
4,500	2,800	5,545	5,100	130	130	5	7	1,700	5	7	1,650	
FF	2,700	1,850	3,745	3,325	845	1,265	5	5	1,800	5	5	1,750
	3,000	2,000	4,045	3,625	995	1,415	5	5	1,800	5	5	1,750
	3,300	2,150	4,345	3,925	1,145	1,565	5	5	1,800	5	5	1,750
FFT	4,000	1,880	5,050	4,630	875	1,295	5	5	1,800	5	5	1,700
	4,500	2,045	5,545	5,125	1,040	1,460	5	5	1,750	5	5	1,650
	4,750	2,130	5,795	5,375	1,125	1,545	5	5	1,600	5	5	1,625
	5,000	2,245	6,045	5,625	1,240	1,660	5	5	1,550	5	5	1,575
	5,500	2,480	6,550	6,130	1,475	1,895	5	5	1,475	5	5	1,500
	6,000	2,645	7,045	6,625	1,640	2,060	5	5	1,350	5	5	1,400

B20X-7 Plus

Mast type	Maximum fork height	Fully lowered height	Fully extended height		Free lift		Rated load capacities					
			with load backrest	without load backrest	with load backrest	without load backrest	Single solid tire			Pneumatic tire		
							Tilt angle		Load cap.	Tilt angle		Load cap.
							FWD	BWD	LC 500 mm	FWD	BWD	LC 500 mm
mm	mm	mm	mm	mm	mm	deg	deg	kg	deg	deg	kg	
STD	3,000	2,000	4,050	3,605	135	135	5	7	2,000	5	7	2,000
	3,300	2,150	4,350	3,905	135	135	5	7	2,000</			

Technical Data according to VDI 2198

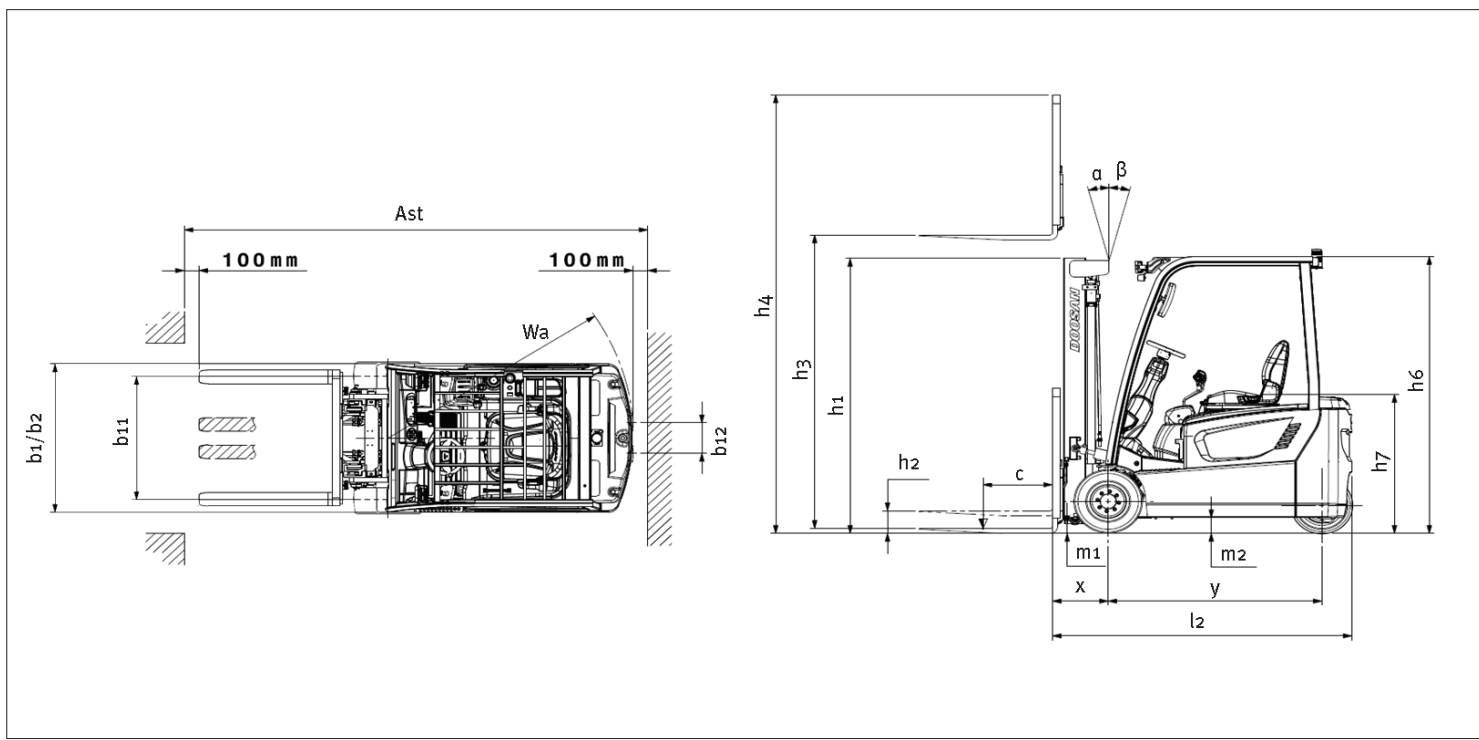
CHARACTERISTICS	1.1 Manufacturer		Doosan	Doosan	
	1.2 Model		B15T-7 Plus	B18T-7 Plus	
1.3 Drive		AC Electric	AC Electric		
1.4 Operator Type		driver seated	driver seated		
1.5 Load Capacity/rated load	Q	kg	1,500	1,750	
1.6 Load Center	c	mm	500	500	
1.8 Load Distance, center of drive axle to fork	x	mm	376	376	
1.9 Wheelbase	y	mm	1,323	1,423	
WEIGHT	2.1 Service Weight (with min. weight of battery)		3,028	3,142	
	2.2 Axle loading, loaded, front/rear		3,988/540	4,358/534	
2.3 Axle loading, unloaded, front/rear		kg	1,495/1,533	1,530/1,612	
TYRES	3.1 Tyres: pneumatic (P), solid (E), cushion (C)		E/C	E/C	
	3.2 Tyre size, Front		18X7-8 ¹	18X7-8 ¹	
3.3 Tyre size, Rear			15X4.5-8 ²	15X4.5-8 ²	
3.5 Wheels, number Front/Rear (x = driven wheels)			2X/2	2X/2	
3.6 Tread, Front	b11	mm	902	902	
3.7 Tread, Rear	b12	mm	167	167	
DIMENSIONS	4.1 Tilt of Mast/Fork carriage Forward/Backward	α/β	°	5/7	5/7
	4.2 Height, Mast lowered	h1	mm	2,000	2,000
	4.3 Free Lift	h2	mm	130	130
	4.4 Lift Height	h3	mm	3,300	3,300
	4.5 Height, Mast Extended	h4	mm	4,345	4,345
	4.7 Height of Overhead Guard	h6	mm	2,010	2,010
	4.8 Height of Seat	h7	mm	919	919
	4.19 Overall Length	l1	mm	2,791	2,891
	4.20 Length to Forkface	l2	mm	1,891	1,991
	4.21 Overall Width	b1/b2	mm	1,090	1,090
	4.22 Fork Dimensions	s/e/l	mm	35 X 100 X 900	35 X 100 X 900
	4.23 Fork carriage ISO 2328. class			II	II
	4.24 Fork carriage width	b3	mm	973	973
	4.24a Fork spacing			240 / 905	240/905
	4.31 Ground Clearance, loaded, below mast	m1	mm	86	86
	4.32 Ground Clearance, center of wheelbase	m2	mm	100	100
4.33 Aisle width for pallets 1.000 X 1.200 crossways	Ast	mm	3,216	3,316	
4.34 Aisle width for pallets 800 X 1.200 lengthways	Ast	mm	3,341	3,441	
4.35 External Turning Radius	Wa	mm	1,515	1,615	
4.36 Internal Turning Radius	b13	mm	0	0	
PERFORMANCE DATA	5.1 Travel Speed, loaded/unloaded		km/h	17/17	17/17
	5.2 Lift Speed, loaded/unloaded		mm/s	400/600	400/600
	5.3 Lowering Speed, loaded/unloaded		mm/s	500/450	500/450
	5.6 Max. Drawbar pull, loaded		N	12,749	12,749
	5.8 Max. Gradeability, loaded		%	26	25
5.10 Service brake			foot-electric	foot-electric	
Parking brake			auto-electric	auto-electric	
ELECTRIC ENGINE	6.1 Drive motor S2 60 min		kW	6.0 X 2	6.0 X 2
	6.2 Lift motor rating at S3 15%		kW	14	14
	6.3 Battery Compartment		mm	528 X 992 X 698	638 X 992 X 698
	6.4 Battery voltage, nominal capacity K5		V/Ah	48/440	48/510
	6.5 Battery weight		kg	700	800
ADDITION DATA	8.1 Type of drive control			MOSFET Inverter	MOSFET Inverter
	8.2 Operating pressure for attachments	System	bar	176	199
	Attachment			140	140

Note: Specification values quoted in this specification sheet have been rounded. Performance may vary depending on operating conditions. Products and specifications are subject to improvement and change without prior notice.

Doosan	Doosan	Doosan	Doosan
B20T-7 Plus	B16X-7 Plus	B18X-7 Plus	B20X-7 Plus
AC Electric	AC Electric	AC Electric	AC Electric
driver seated	driver seated	driver seated	driver seated
2,000	1,600	1,800	2,000
500	500	500	500
381	376	376	381
1,446	1,495	1,495	1,495
3,472	3,189	3,281	3,461
4,841/631	4,235/553	4,551/530	4,871/590
1,623/1,849	1,689/1,491	1,696/1,585	1,692/1,769
E/C	P/E	E	E
200X50-10 ¹	18X7-8 ¹	200X50-10	200X50-10
2X/2	2X/2	2X/2	2X/2
912	902	912	912
201	890	890	890
5/7	5/7	5/7	5/7
2,000	2,150	2,150	2,150
135	130	130	135
3,300	3,300	3,300	3,300
4,350	4,345	4,345	4,350
2,010	2,010	2,010	2,010
919	919	919	919
2,929	3,020	3,020	3,025
2,029	2,120	2,120	2,125
1,119	1,090	1,119	1,119
40 X 100 X 900	35 X 100 X 900	35 X 100 X 900	40 X 100 X 900
II	II	II	II
973	973	973	973
240/905	240/905	240/905	240/905
86	86	86	86
100	100	100	100
3,354	3,466	3,466	3,471
3,479	3,662	3,662	3,667
1,648	1,886	1,886	1,886
0	494	496	496
17/17	17/17	17/17	17/17
400/600	400/600	400/600	400/600
500/450	500/450	500/450	500/450
12,749	12,749	12,749	12,749
24	26	25	24
foot-electric	foot-electric	foot-electric	foot-electric
auto-electric	auto-electric	auto-electric	auto-electric
6.0 X 2	6.0 X 2	6.0 X 2	6.0 X 2
14	14	14	14
638 X 992 X 698	638 X 992 X 698	638 X 992 X 698	638 X 992 X 698
48/585	48/585	48/585	48/585
1,000	1,050	1,050	1,050
MOSFET Inverter	MOSFET inverter	MOSFET inverter	MOSFET inverter
216	199	199	199
140	140	140	140

¹ Optional: cushion tires 18X7 - 12.12
² Optional: cushion tires 15X6 - 11.25

DIMENSIONAL DRAWING - 3-wheel



DIMENSIONAL DRAWING - 4-wheel

