

# MAST SPECIFICATION and RATED CAPACITIES

## B70NX

Mast Type	Max. Fork Height	Mast Lowered Height	Extended Height w/ Load Backrest	Free Lift w/ Load Backrest	Rated Load Capacities		
					Tilt Angle		Load capacities LC 600mm
					Fwd	Bwd	
mm	mm	mm	mm	deg	deg	kg	
STD	3,300	2,715	4,535	-	5	7	7,000
	3,600	2,865	4,835	-	5	7	7,000
	4,000	3,065	5,235	-	5	7	7,000
	4,500	3,315	5,735	-	5	7	6,750
	5,000	3,565	6,235	-	4	5	6,250
	5,500	3,815	6,735	-	4	5	5,750
FFT	4,500	2,530	5,505	1,485	4	5	6,800
	5,100	2,730	6,105	1,685	4	5	6,100
	5,400	2,830	6,405	1,785	4	5	5,750
	6,000	3,030	7,005	1,985	3	4	5,050
	6,600	3,230	7,605	2,185	3	3	4,350
	6,900	3,330	7,905	2,285	3	3	4,000

## B80NX

Mast Type	Max. Fork Height	Mast Lowered Height	Extended Height w/ Load Backrest	Free Lift w/ Load Backrest	Rated Load Capacities		
					Tilt Angle		Load capacities LC 600mm
					Fwd	Bwd	
mm	mm	mm	mm	deg	deg	kg	
STD	3,300	2,900	4,550	-	5	8	8,000
	3,600	3,050	4,850	-	5	8	8,000
	4,000	3,250	5,250	-	5	8	8,000
	4,500	3,500	5,750	-	5	8	7,750
	5,000	3,750	6,250	-	4	6	7,250
	5,500	4,000	6,750	-	4	6	6,750
FFT	4,500	2,730	5,720	1,480	4	5	7,300
	5,000	2,920	6,290	1,670	4	5	6,950
	5,500	3,080	6,770	1,830	4	5	6,600
	6,000	3,250	7,280	2,000	3	4	5,550
	6,500	3,400	7,730	2,150	3	4	5,200
	7,000	3,600	8,330	2,350	3	3	4,850

Note: These load capacities are based on the standard chassis without side shifter. Specification values quoted in this specification sheet has been rounded. Performance may vary due to operation conditions. Products and specifications are subject to improvement and change without prior notices.

B60NX -220923V1EN (September 2022)

Doosan Industrial Vehicle Europe nv  
 Europark-Noord 36A  
 9100 Sint-Niklaas  
 Belgium  
 Tel.: +32 3 760 09 87  
 Fax: +32 3 760 09 89  
 Website: www.doosan-iv.eu

Authorized Dealer



**DOOSAN**

B60NX / B70NX / B80NX

## NX-SERIES FORKLIFTS

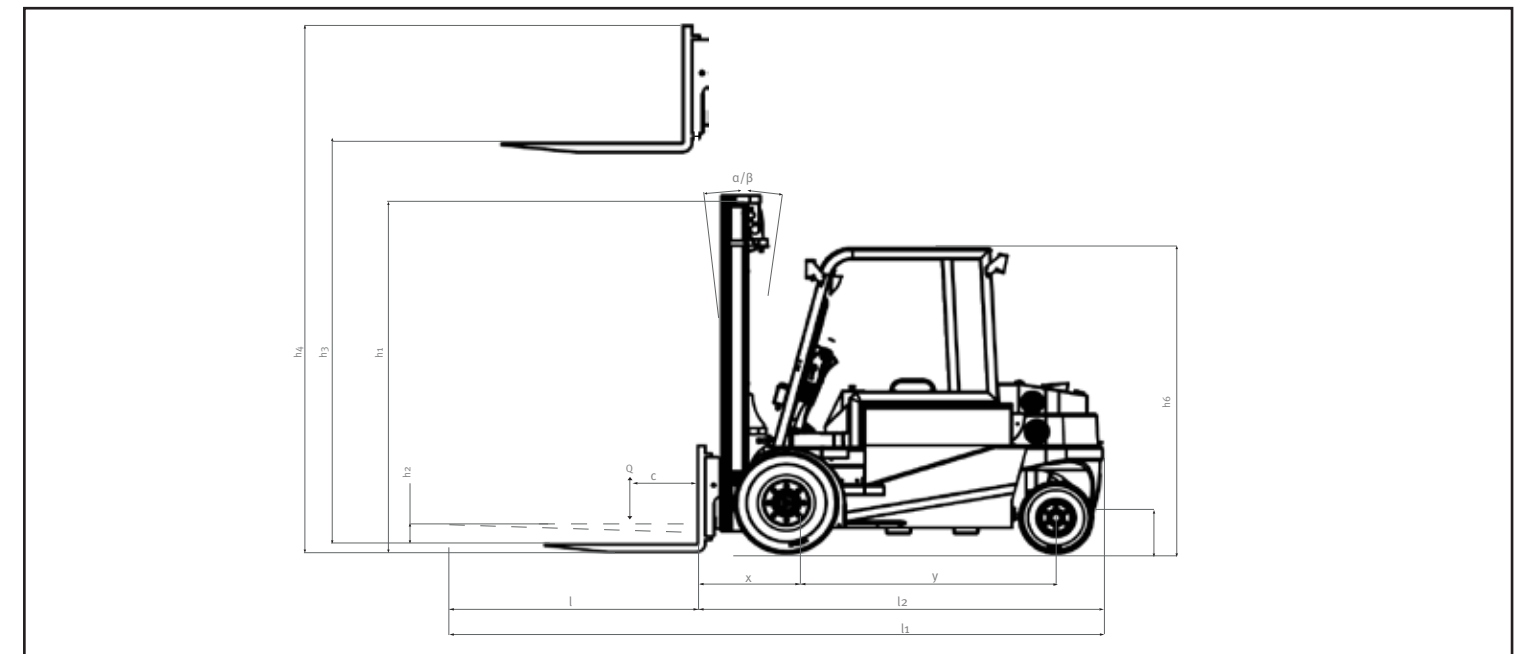
Electric 6.0 to 8.0 ton capacity



# Technical Data according to VDI 2198

			Doosan	Doosan	Doosan
CHARACTERISTICS	1.1	Manufacturer			
	1.2	Model			
	1.3	Power unit			
	1.4	Operator Type			
	1.5	Load Capacity/rated load	Q	kg	
	1.6	Load Center	c	mm	
	1.8	Load Distance, center of drive axle to fork	x	mm	
	1.9	Wheelbase	y	mm	
	WEIGHT	2.1	Service Weight (with min. weight of battery)		kg
2.2		Axle loading, loaded, front/rear		kg	
2.3		Axle loading, unloaded, front/rear		kg	
TYRES	3.1	Tires : pneumatic (P), superelastic (SE), cushion (C)			
	3.2	Tyre size, Front			
	3.3	Tyre size, Rear			
	3.5	Wheels, number Front/Rear (x = driven wheels)			
	3.6	Tread, Front	b11	mm	
	3.7	Tread, Rear	b12	mm	
	DIMENSIONS	4.1	Tilt of Mast/Fork carriage Forward/Backward	$\alpha/\beta$	°
4.2		Height, Mast lowered	h1	mm	
4.4		Lift Height	h3	mm	
4.5		Height, Mast Extended	h4	mm	
4.7		Height of Overhead Guard	h6	mm	
4.8		Height of Seat	h7	mm	
4.19		Overall Length	l1	mm	
4.20		Length to Forkface	l2	mm	
4.21		Overall Width	b1/b2	mm	
4.22		Fork Dimensions	s/e/l	mm	
4.23		Fork carriage ISO 2328 (FEM), TPSL, TWSL			
4.24		Fork carriage width	b3	mm	
4.31		Ground Clearance, unloaded, below mast	m1	mm	
4.32		Ground Clearance, center of wheelbase	m2	mm	
4.33		Aisle width for pallets 1.000 X 1.200 crossways	Ast	mm	
4.35		External Turning Radius	Wa	mm	
4.36	Minimum pivoting point distance	a/2	mm		
PERFORMANCE DATA	5.1	Travel Speed, loaded/unloaded		km/h	
	5.2	Lift Speed, loaded/unloaded		mm/s	
	5.3	Lowering Speed, loaded/unloaded		mm/s	
	5.8	Max. Gradeability, loaded/unloaded		%	
	5.10	Service brake			
ELECTRIC ENGINE	6.1	Drive motor S2 60 min		kW	
	6.2	Lift motor rating at S3 15%		kW	
	6.4	Battery voltage, nominal capacity K5		V/Ah	
	6.5	Battery weight		kg	
ADDITION DATA	8.1	Type of drive control			
	8.2	Operating pressure		bar	
	8.3	Max oil flow for attachments		l/min	
	8.4	Noise level at operators ear		dB	

# Dimensional Drawing



## MAST SPECIFICATION and RATED CAPACITIES

### B60NX

Mast Type	Max. Fork Height	Mast Lowered Height	Extended Height w/ Load Backrest	Free Lift w/ Load Backrest	Rated Load Capacities		
					Tilt Angle		Load capacities LC 600mm
					Fwd deg	Bwd deg	
STD	3,300	2,715	4,365	-	5	7	6,000
	3,600	2,865	4,665	-	5	7	6,000
	4,000	3,065	5,065	-	5	7	6,000
	4,500	3,315	5,565	-	5	7	6,000
	5,000	3,565	6,065	-	4	5	5,500
FFT	5,500	3,815	6,565	-	4	5	5,000
	4,500	2,530	5,505	1,485	4	5	5,800
	5,000	2,730	6,105	1,685	4	5	5,200
	5,500	2,830	6,405	1,785	4	5	4,900
	6,000	3,030	7,005	1,985	3	4	4,300
	6,500	3,230	7,605	2,185	3	3	3,700
	7,000	3,330	7,905	2,285	3	3	3,400

Note: These load capacities are based on the standard chassis without side shifter. Specification values quoted in this specification sheet has been rounded. Performance may vary due to operation conditions. Products and specifications are subject to improvement and change without prior notices.

Note: Specification values quoted in this specification sheet have been rounded. Performance may vary depending on operating conditions. Products and specifications are subject to improvement and change without prior notice.